

The Sustainment Training Center (STC) offers an M1A1SA Troubleshooting Training Course focusing on Hull and Turret. Systems. Instruction on components of the On-Board Diagnostic System, how they interact with tank LRU's. Particular attention to procedures for using the embedded diagnostic software in troubleshooting the tank systems. Instruction on how to interpret electrical schematics and use alternate troubleshooting procedure.

The training is NOT MOS producing or Additional Skill Identifier (ASI) awarding.

This course is in the ATRRS School Reservation System under School Code 952, Course Title: 964-M1ADV.

Technicians/Soldiers attending the instruction will attend this training in a paid status. Cost to the States for sending Technicians/Soldiers include travel to and from Camp Dodge from the Technicians/Soldiers home station. Food subsistence is local economy. Lodging is available on Camp Dodge for \$38.00 per night for single room, queen size bed and shared latrine.

Find Per Diem cost for Camp Dodge, Johnston, Iowa at: <https://www.gsa.gov/travel/plan-book/per-diem-rates>

On Post Quarters



Army National Guard

Sustainment Training Center

7105 NW 70th Ave

Camp Dodge

Johnston, Iowa 50131-1824

<https://stcia.com>



M1A1SA  
Troubleshooting  
Training Course

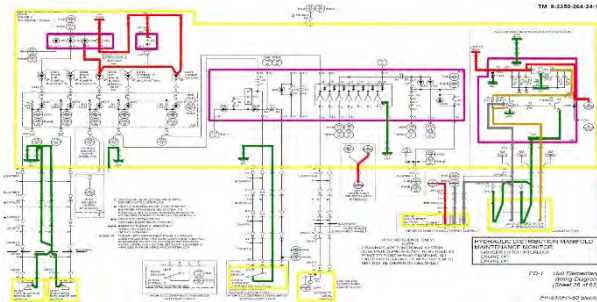


## M1A1SA Troubleshooting Training Course



### TASKS TAUGHT

- Embedded Diagnostic System
- Hull Schematics
- Turret Schematics
- Drivers Hatch Interlock System
- Embedded Diagnostic Software



Army National Guard Sustainment Training Center (STC)

M1A1SA Troubleshooting Training Course

964-M1ADV

Visit ATRRS Course Catalog at

<https://www.atrrs.army.mil/atrrscc>

Questions regarding enrollment procedures contact:

Mark T. Rushing

Commercial: (515) 727-3579

DSN: 431-3579

[mark.t.rushing.ctr@army.mil](mailto:mark.t.rushing.ctr@army.mil)

## M1A1SA Troubleshooting Training Course



### TASKS TAUGHT

- AGT 1500 Troubleshooting
- X1100-3B Troubleshooting
- Fire Suppression Test
- DSESTS Testing

